

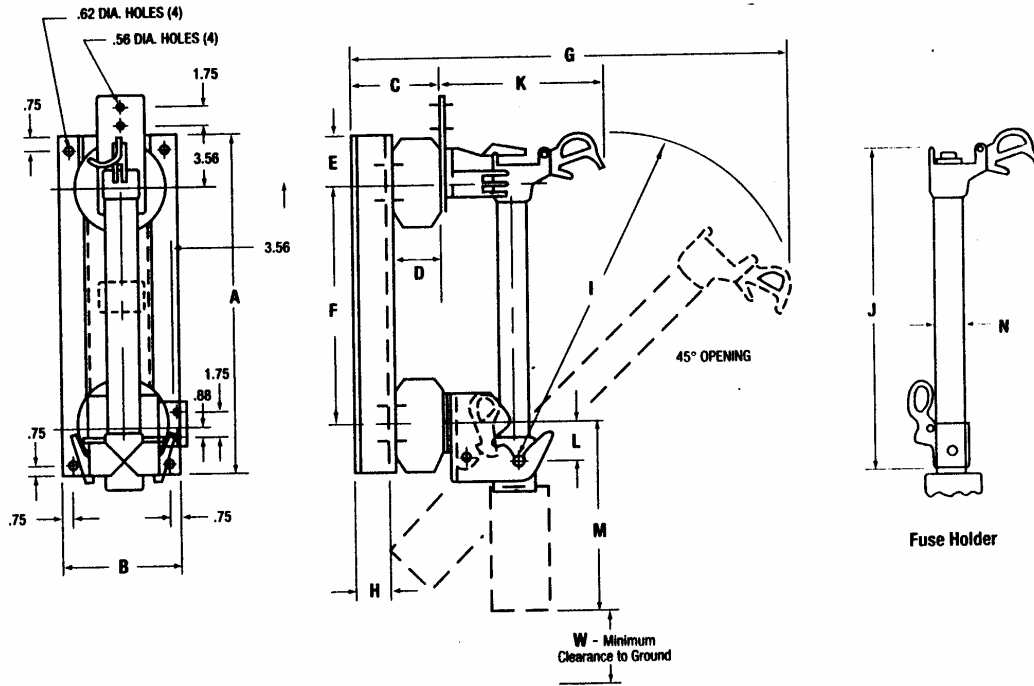
# Norberg~IES

[www.powerfuse.com](http://www.powerfuse.com)

147 South 122<sup>nd</sup> East Ave., Tulsa, OK 74128 918.438.0744 fax 918.438.0746

## CUT SHEET #6

### BORIC ACID DISCONNECT FUSE MOUNTING



A-20 Insulators Used on 4.8 to 14.4 kV  
A-30 Insulators Used on 23.0 and 34.5 kV

### Dimensions in Inches

Item	KV	BIL KV	A	B	C	D	E	F	G	H	I	J	K	L	M	N	W *	W **
1	5	60	22.6	7	7.5	3.5	5.9	14.3	27.2	3.3	18.7	18.8	9.3	1.6	10.1	1.6	3	7.5
2	8	75	22.6	7	10	6	5.9	14.3	29.7	6.3	18.7	18.8	9.3	1.6	10.1	1.6	4	8.5
3	14	95	22.6	7	10	6	2.6	17.6	32.1	6.3	22.1	22.2	9.3	1.6	10.1	1.6	6	11.5
4	15	110	22.6	7	11.5	7.5	2.6	17.6	33.6	7.8	22.1	22.2	9.3	1.6	10.1	1.6	6	11.5
5	25	150	33.9	8	12	10.5	2.5	22.3	37.7	11.7	22.7	26.8	9.3	1.6	10.1	1.6	8.5	15
6	38	150	33.9	8	12	10.5	2.5	29.3	42.6	11.7	33.7	33.8	9.3	1.6	10.1	1.6	12	19.5
7	5	60	22.3	7	7.5	3.5	5.9	13.8	27.4	3	19.7	20	9.3	2.6	11.8	2.2	3	7.5
8	8	75	22.3	7	10	6	5.9	13.8	29.9	5.5	19.7	20	9.3	2.6	11.8	2.2	4	8
9	14	95	22.3	7	10	6	2.6	17.2	32.8	5.5	23.7	23.4	9.3	2.6	11.8	2.2	6	11.5
10	15	110	22.3	7	11.5	7.5	2.6	17.2	34.3	7	23.7	23.4	9.3	2.6	11.8	2.2	6	11.5
11	25	150	33.8	8	13.5	10.5	2.5	21.8	39.6	9	27.7	28	9.3	2.6	11.8	2.2	8.5	15
12	38	150	33.8	8	13.5	10.5	2.5	28.8	44.5	9	34.7	35	9.3	2.6	11.8	2.2	12	19.5

- \* With Condenser \*\* With Discharge Filter
- Item 1-6 for 200 Amp Holder / Item 7-12 for 400 Amp Holder