

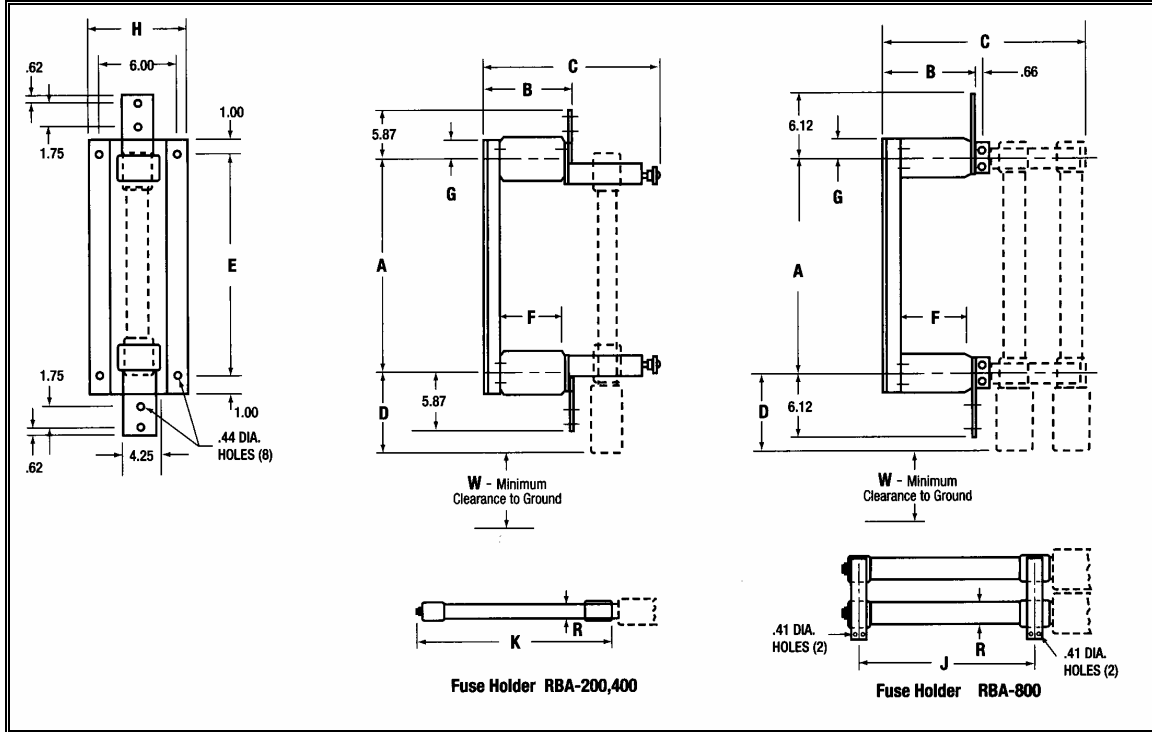
# Norberg~IES

[www.powerfuse.com](http://www.powerfuse.com)

147 South 122<sup>nd</sup> East Ave., Tulsa, OK 74128 918.438.0744 fax 918.438.0746

## SHEET 31

### Boric Acid Fuse Mountings for Use In Weather-Proof Enclosures or Indoors Non-Disconnect Style



#### Dimensions in Inches

ITEM	KV	BIL KV	AMPS MAX	A	B	C	D	E	F	G	H	J	K	R	W COND	W FILTER	PHASE SPACING
1	5	60	200	15.6	4.6	11.4	8.6	15.6	7.5	1.3	7.5		18.3	1.6	3.0	7.5	11.2
2	8	75	200	15.6	7.1	13.9	8.6	15.6	7.5	1.3	7.5		18.3	1.6	4.0	8.5	12.6
3	14	95	200	19.0	7.1	13.9	8.6	19.0	7.5	1.3	7.5		21.6	1.6	6.0	11.5	13.1
4	15	110	200	19.0	8.6	15.4	8.6	19.0	7.5	1.3	7.5		21.6	1.6	6.0	11.5	15.6
5	25	150	200	26.4	12.1	18.9	7.3	29.4	8.5	2.5	8.5		26.3	1.6	8.5	15.0	19.6
6	38	150	200	33.4	12.1	18.9	7.3	36.4	8.5	2.5	8.5		33.3	1.6	12.0	19.5	24.6
7	5	60	400	16.6	4.6	12.3	8.8	16.6	7.5	1.3	7.5		19.5	2.2	3.0	7.5	11.2
8	8	75	400	16.6	7.1	14.8	8.8	16.6	7.5	1.3	7.5		19.5	2.2	4.0	8.5	12.6
9	14	95	400	19.9	7.1	14.8	8.8	19.9	7.5	1.3	7.5		22.9	2.2	6.0	11.5	13.1
10	15	110	400	19.9	8.6	16.3	8.8	19.9	7.5	2.5	7.5		22.9	2.2	6.0	11.5	15.6
11	25	150	400	27.4	12.1	19.8	7.4	30.4	8.5	1.3	8.5		22.9	2.2	8.5	15.0	19.6
12	38	150	400	34.4	12.1	19.8	7.4	37.4	8.5	2.5	8.5		34.5	2.2	12.0	19.5	24.6
13	5	60	720	16.3	4.5	12.9	9.3	17.6	7.5	1.6	7.5	16.3		2.2	3.0	7.5	11.0
14	8	75	720	16.3	7.0	15.4	9.3	17.6	7.5	1.6	7.5	16.3		2.2	4.0	8.5	12.5
15	14	95	720	19.8	7.0	15.4	9.3	21.1	7.5	1.6	7.5	19.8		2.2	6.0	11.5	14.0
16	15	110	720	19.8	8.5	16.9	9.3	21.1	7.5	1.6	7.5	19.8		2.2	6.0	11.5	15.5
17	25	150	540	24.5	11.5	19.9	9.3	27.5	10.5	2.5	10.5	24.5		2.2	6.0	15.0	19.5
18	38	150	540	31.5	11.5	19.9	9.3	34.5	10.5	2.5	10.5	31.5		2.2	12.0	19.5	24.5